



# VALVE DATA SHEET

Project	포스코 포항		
Item	Pneumatic Control Hi-Performance Butterfly Valve	Sheet No.	1 OF 2
Service		P&ID No.	
Tag. No.	B70597-98	MFG. No.	20221041-42
Model No.	YABHB-121E1	Q'ty (Set)	2

SERVICE CONDITIONS	1	Medium			ACTUATOR	46	Actuator Type	Single Acting Cylinder			
	2		Max. Q	Nor. Q		Min. Q	47	Model No.	B3SR		
	3	Flow Rate	Nm <sup>3</sup> /hr				48	Close At (bar G)	Open At (bar G)	2.0	3.5
	4	Inlet Pressure	kgf/cm <sup>2</sup> G				49	Fail Position (Signal / Air)	Close		
	5	Outlet Pressure	kgf/cm <sup>2</sup> G				50	Hand-Wheel (Type / Location)	Declutchable / Side		
	6	Differential Pressure	kgf/cm <sup>2</sup> G				51	Painting Color (RAL No.)	RAL 5019		
	7	Inlet Temperature	℃				52	Painting Type	Polyurethane		
	8	Specific Gravity	G				I / P POSITIONER	53	Input Signal (mA DC)	4 ~ 20	
	9	Density	kg/m <sup>3</sup>					54	Output Pressure (bar G)	2.0 ~ 3.5	
	10	Molecular Weight	M.W					55	Type	Conventional	
	11	Viscosity	cPs					56	Enclosure	IP-66	
	12	Predicted SPL	dBA					57	Model No.	EP-6100	
	13	Calculated Cv						59	MFG.	Proval	
	14	Opening Lift	%					POSITION TRANSMITTER	59	Output (mA DC)	-
	15						60		Type	-	
	16						61		Model No.	-	
DESIGN	17	Shut Off ΔP			SOLENOID VALVE	62	Power	-			
	18	Design Pressure				63	Type	-			
	19	Design Temp.				64	Enclosure	-			
LINE	20	Inlet Pipe Size (A) / Sch. No.	125		LIMIT SWITCH	65	Model No.	-			
	21	Outlet Pipe Size (A) / Sch. No.	125			66	MFG.	-			
BODY & TRIM	22	Body Type	Butterfly (Hi-Performance)		AIR SET	67	Quantity	-			
	23	Body Size (A)	Port Size (A)	125		125	68	Type	-		
	24	Trim Design	Guide	Eccentric		Top & Bottom	69	Enclosure	-		
	25	Trim Type	Trim Seal Ring	-		-	70	Model No.	-		
	26	Rating & End Connection	JIS 10K R.F Wafer			ACCESSORY	71	MFG.	-		
	27	Flange Facing	Smooth-Finish		72		Air Supply Pressure (bar G)	5.0			
	28	Material	Body	SCS13			73	Model No.	AR-1501		
			Plug / Disc / Ball	SCS13			74	Lock-Up Valve	-		
			Seat	RTFE			75	Volume Booster	-		
			Cage	-			76	Snap Acting Relay	-		
			Stem	SUS304			77	Check Valve	-		
	31	Packing	PTFE		78		Air-Operated Valve	-			
	34	Bonnet Type	Standard		79		Exhaust Valve	-			
	35	Trim Form	Modified Equal %		80		Speed-Controller	-			
	36	Max.Allow Sound Level (dBA)	Less than 85		81						
	37	Required Seat Tightness	ANSI CLASS VI		82						
	38	Rated Cv	730		83						
	39	Stroke	90°		84						
	40	Flow Action To	Direct		85						
	41	Painting Color (RAL No.)	-		MISCELLANEOUS	86	Conduit Connection	Air Supply	PT.F 1/4"		
	42	Painting Type	-			87		Electrical	PF.F 1/2"		
	43					88	Water Seal	-			
	44					89	Tubing Material	316 SS			
	45					90					

NOTE									
A	2022-10-04	For Approval			S. J. K	H. S. L	S. S. H		
No.	Date	Revision			Prepared By	Checked By	Approved By		

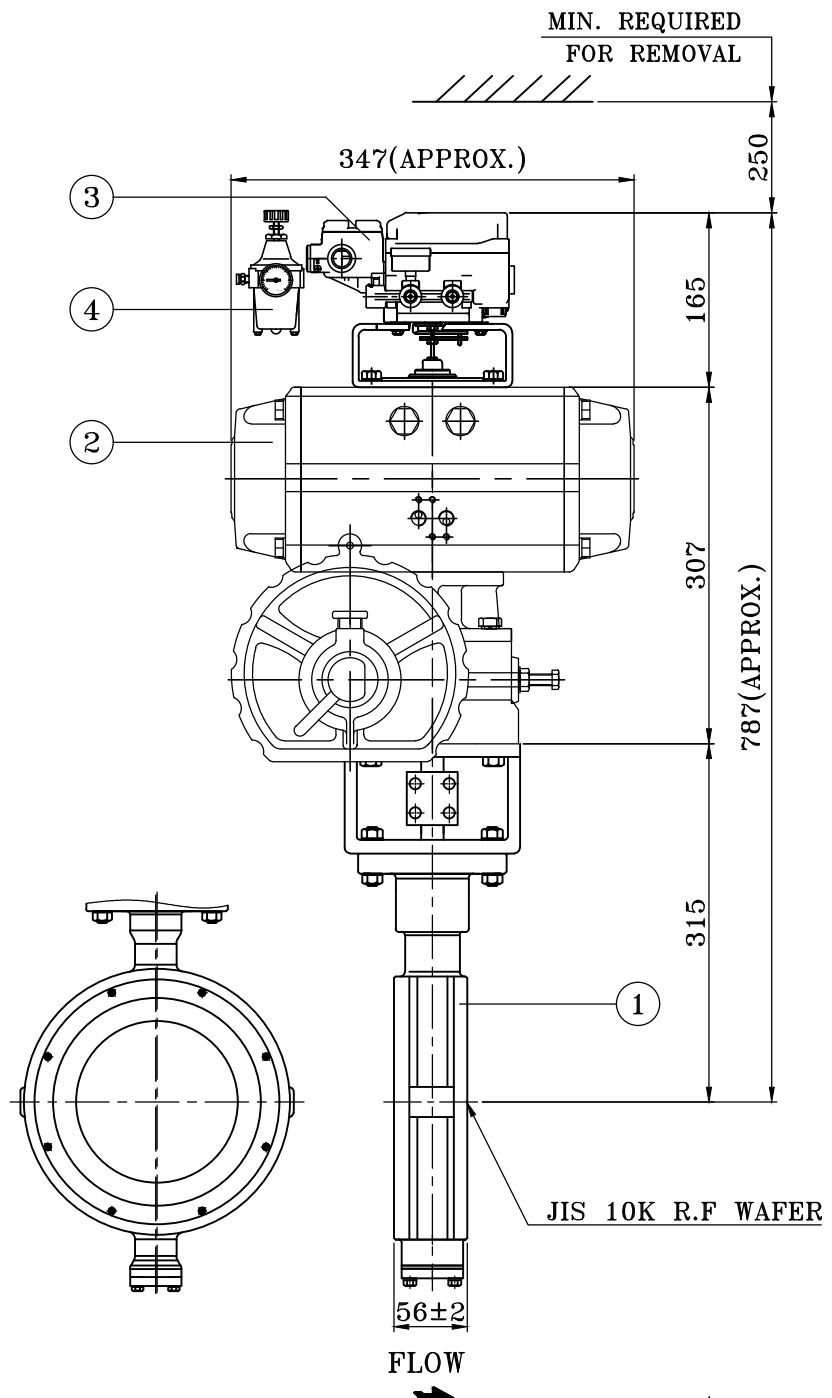


# VALVE DATA SHEET

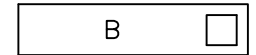
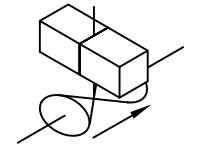
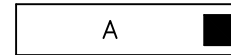
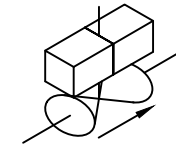
Project	포스코 포항		
Item	Pneumatic Control Hi-Performance Butterfly Valve	Sheet No.	2 OF 2
Service		P&ID No.	
Tag. No.	B70599-600	MFG. No.	20221043-44
Model No.	YABB-322E1	Q'ty (Set)	2

SERVICE CONDITIONS	1	Medium			ACTUATOR	46	Actuator Type	Double Acting Cylinder			
	2		Max. Q	Nor. Q		Min. Q	47	Model No.	B4S		
	3	Flow Rate	Nm <sup>3</sup> /hr				48	Close At (bar G)	Open At (bar G)	0.0	4.0
	4	Inlet Pressure	kgf/cm <sup>2</sup> G				49	Fail Position (Signal / Air)	Close / Last		
	5	Outlet Pressure	kgf/cm <sup>2</sup> G				50	Hand-Wheel (Type / Location)	-		
	6	Differential Pressure	kgf/cm <sup>2</sup> G				51	Painting Color (RAL No.)	RAL 5019		
	7	Inlet Temperature	℃				52	Painting Type	Polyurethane		
	8	Specific Gravity	G				I / P POSITIONER	53	Input Signal (mA DC)	4 ~ 20	
	9	Density	kg/m <sup>3</sup>					54	Output Pressure (bar G)	0 ~ 4	
	10	Molecular Weight	M.W					55	Type	Conventional	
	11	Viscosity	cPs					56	Enclosure	IP-66	
	12	Predicted SPL	dBA					57	Model No.	EP-6100	
	13	Calculated Cv						59	MFG.	Proval	
	14	Opening Lift	%					POSITION TRANSMITTER	59	Output (mA DC)	-
	15						60		Type	-	
	16						61		Model No.	-	
DESIGN	17	Shut Off ΔP			SOLENOID VALVE	62	Power	-			
	18	Design Pressure				63	Type	-			
	19	Design Temp.				64	Enclosure	-			
LINE	20	Inlet Pipe Size (A) / Sch. No.	250		LIMIT SWITCH	65	Model No.	-			
	21	Outlet Pipe Size (A) / Sch. No.	250			66	MFG.	-			
BODY & TRIM	22	Body Type	Butterfly (Hi-Performance)		AIR SET	67	Quantity	-			
	23	Body Size (A)	Port Size (A)	250		250	68	Type	-		
	24	Trim Design	Guide	Eccentric		Top & Bottom	69	Enclosure	-		
	25	Trim Type	Trim Seal Ring	-		-	70	Model No.	-		
	26	Rating & End Connection	JIS 10K R.F Wafer			ACCESSORY	71	MFG.	-		
	27	Flange Facing	Smooth-Finish		72		Air Supply Pressure (bar G)	5.0			
	Material	28	Body	SCPH2			73	Model No.	AR-1501		
		29	Plug / Disc / Ball	SCS13			74	Lock-Up Valve	-		
		30	Seat	RTFE			75	Volume Booster	-		
		31	Cage	-			76	Snap Acting Relay	-		
		32	Stem	SUS304			77	Check Valve	-		
	33	Packing	PTFE		78		Air-Operated Valve	-			
	34	Bonnet Type	Standard		79		Exhaust Valve	-			
	35	Trim Form	Modified Equal %		80		Speed-Controller	-			
	36	Max.Allow Sound Level (dBA)	Less than 85		81						
	37	Required Seat Tightness	ANSI CLASS VI		82						
	38	Rated Cv	4000		83						
	39	Stroke	90°		84						
	40	Flow Action To	Direct		85						
	41	Painting Color (RAL No.)	-		MISCELLANEOUS	86	Conduit Connection	Air Supply	PT.F 1/4"		
	42	Painting Type	-			87		Electrical	PF.F 1/2"		
	43					88	Water Seal	-			
	44					89	Tubing Material	316 SS			
	45					90					

NOTE								
A	2022-10-04	For Approval			S. J. K	H. S. L	S. S. H	
No.	Date	Revision			Prepared By	Checked By	Approved By	



Actuator Location

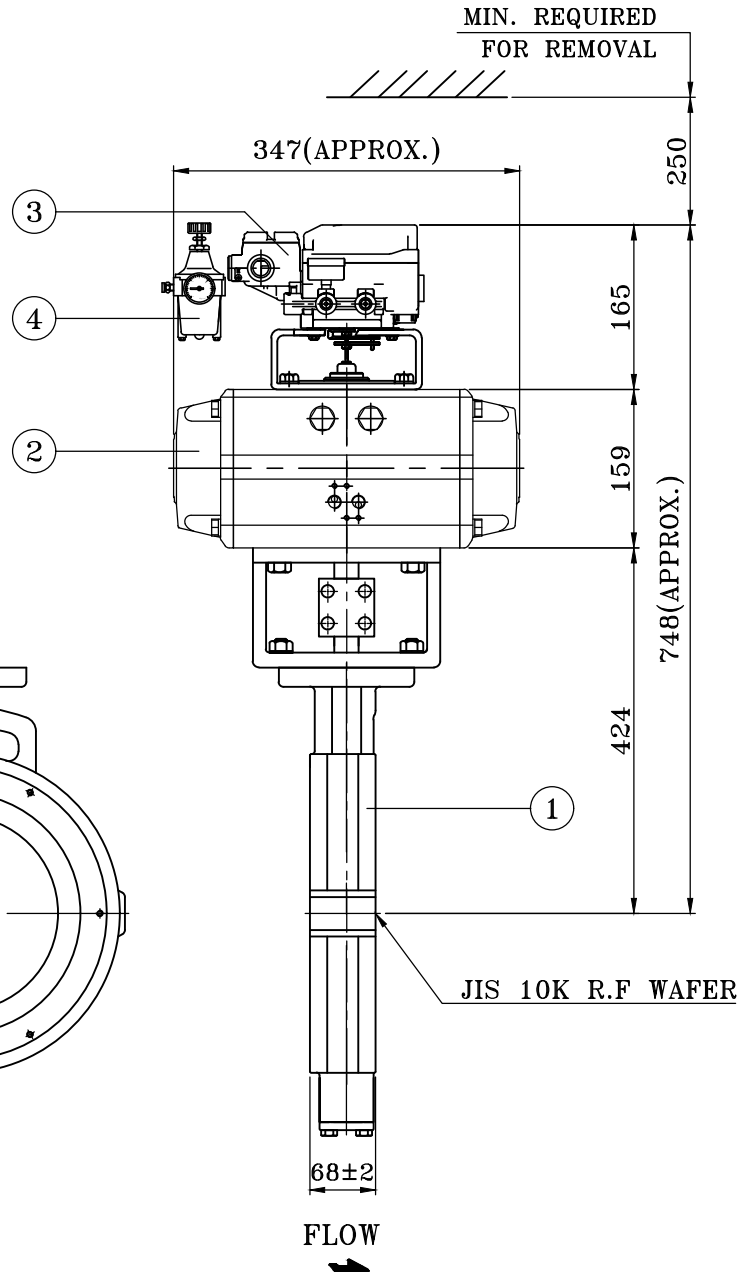
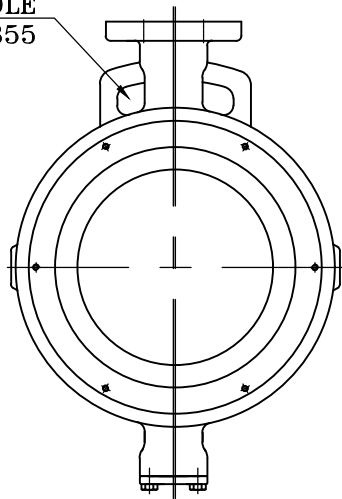


- Tag No. : B70597~98

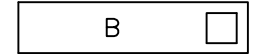
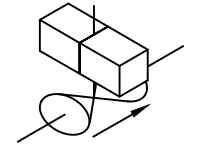
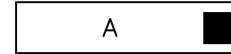
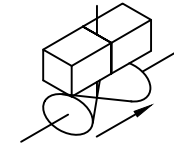
4	Air-Set		
3	Positioner		
2	Actuator		
1	Body	SCS13	
No.	Name Of Parts	Material	Remark
Model No.	YABHB-121E1	Size	125A
DWG. Name	Pneumatic Control Hi-Performance Butterfly Valve		
DRAW'N	J.H Bae	APP'D	J.S Noh
		Date	2022.10.19
		Rev.	A
		Sheet No.	1 of 2

**PROVAL** PROVAL Co., Ltd.

2- $\phi$ 25 HOLE  
PCD 355



Actuator Location



- Tag No. : B70599~600

4	Air-Set		
3	Positioner		
2	Actuator		
1	Body	SCPH2	
No.	Name Of Parts	MATERIAL	Remark
Model No.	YABB-322E1	Size	250A
DWG. Name Pneumatic Control Hi-Performance Butterfly Valve			
DRAW'N	J.H Bae	APP'D	J.S Noh
PROVAL Co.,Ltd.		Date	2022.10.19
		Rev.	A
		Sheet No.	2 of 2